

THIS DRAWING IS UNPUBLISHED.

RELEASED FOR PUBLICATION

ALL RIGHTS RESERVED.

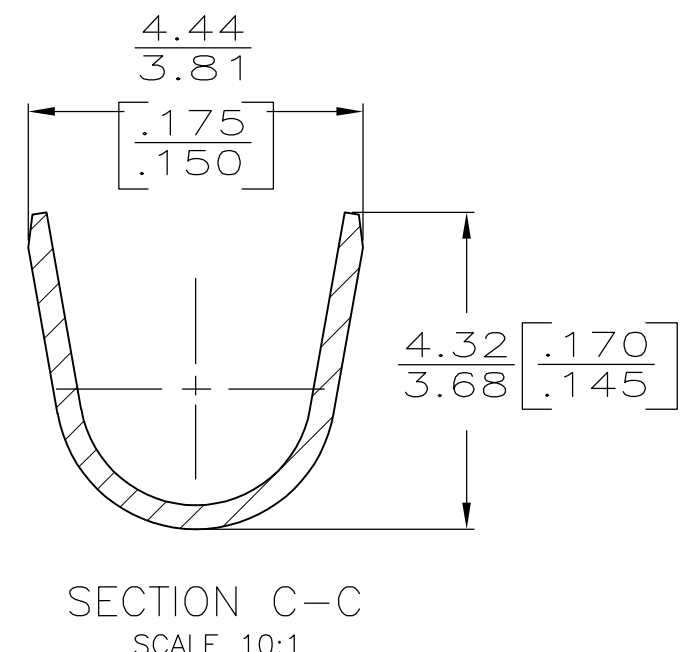
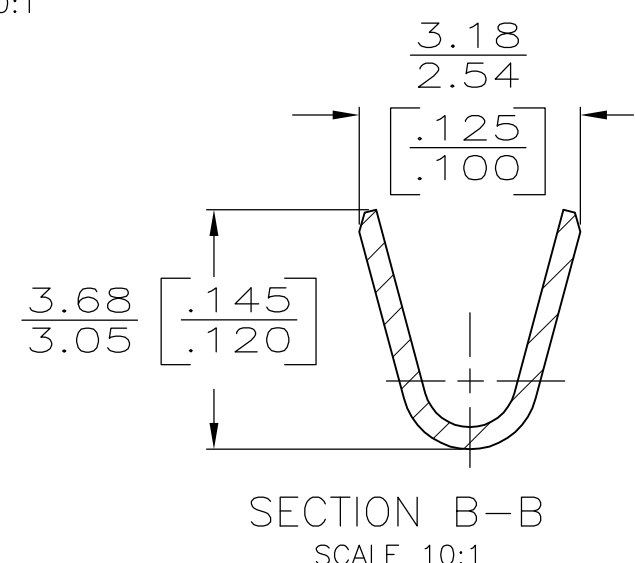
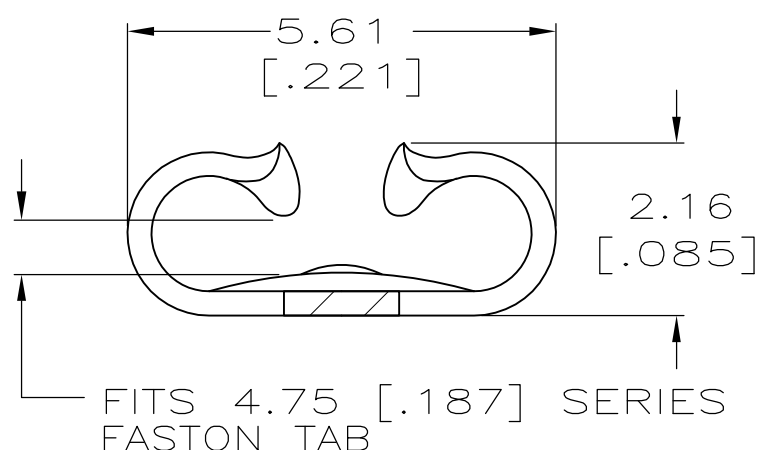
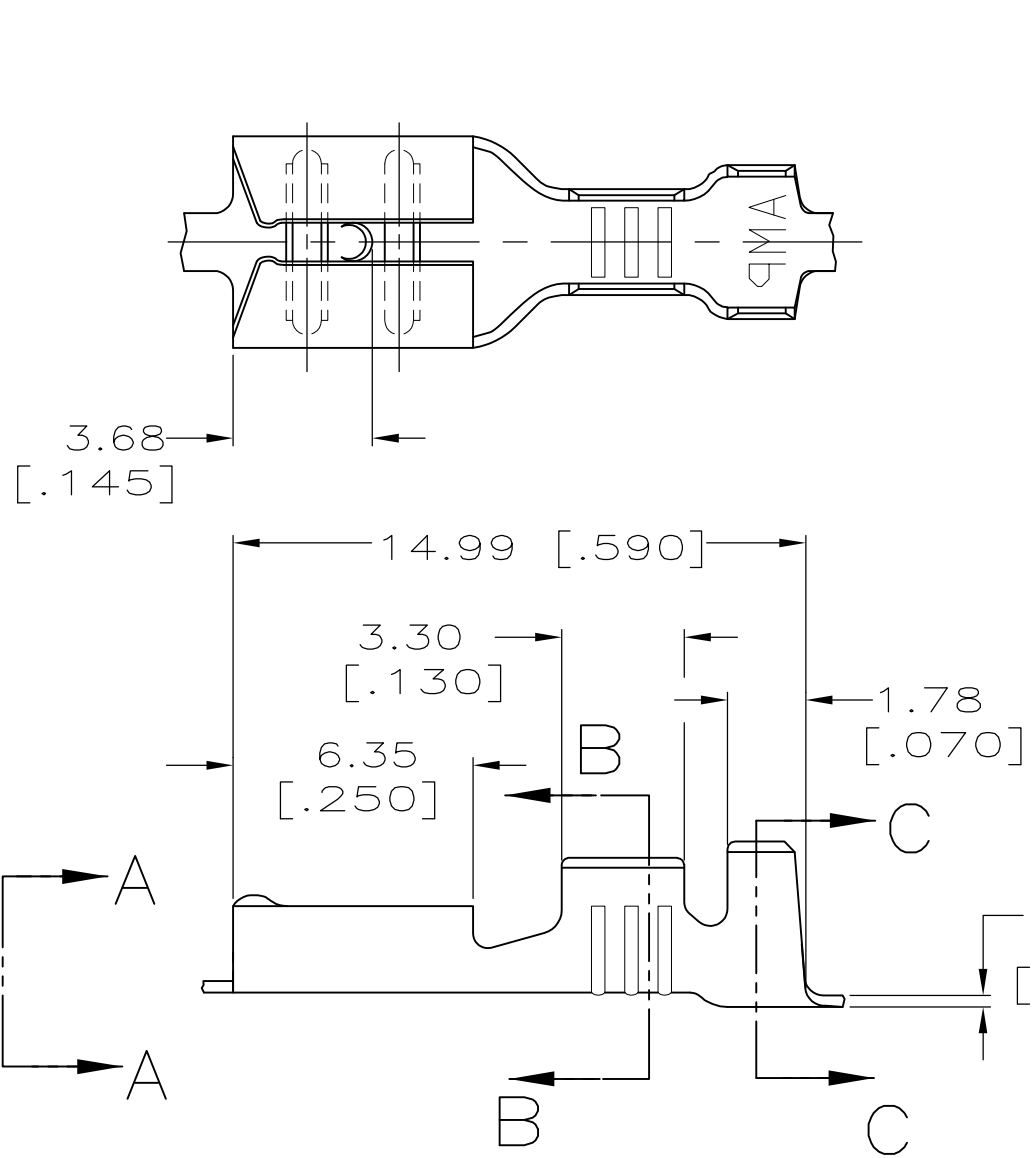
© COPYRIGHT - By -

LOC AF DIST 50

REVISIONS

P	LTR	DESCRIPTION	DATE	DWN	APVD
P		REVISED PER ECR-12-013445	18OCT12	KH	PD

1 CONTINUOUS STRIP ON REELS



TIN	2.29-3.30 [.090-.130]	0.5-1.3mm ² [20-16] AWG	0.51 [.020]	42801-2
-				42801-1
FINISH	INSULATION RANGE	WIRE SIZE	MATING TAB THK ±0.025 [.001]	PART NO.

THIS DRAWING IS A CONTROLLED DOCUMENT.		DWN JR RUTH 1/24/91	TE Connectivity RECEPTACLE, FASTON,™ 4.75 [.187] SERIES				
DIMENSIONS: INCHES		CHK P FORTNEY 1/25/91				NAME	
TOLERANCES UNLESS OTHERWISE SPECIFIED:		APVD C MEYERS 1/25/91				SIZE CAGE CODE DRAWING NO RESTRICTED TO	
0 PLC ± - 1 PLC ± - 2 PLC ± 0.38 [.015] 3 PLC ± - 4 PLC ± - ANGLES ± -		PRODUCT SPEC -				A3 00779 C-42801	
MATERIAL BRASS		FINISH SEE TABLE	WEIGHT -		SCALE 5:1 SHEET 1 OF 1 REV P		